

SECTION 1: Identification

1.1. Product identifier

Product name : SOUDOTEC GEL PICK
 Type of product : Treatment product for metal surface

1.2. Recommended use and restrictions on use

Recommended use : Surface treatment for metals

1.3. Supplier

FSH Welding Canada
 2204, 46e avenue
 H8T 2P3
 Lachine (Mtl) Québec
 Canada
 T 514.631.7670 - F 514.636.3339
<http://www.fsh-welding.ca/>

1.4. Emergency telephone number

Emergency number : 1-800-361-9097

SECTION 2: Hazard identification

2.1. Classification of the substance or mixture

Classification (GHS-CA)

Corrosive substances or corrosive mixtures for metals: MET Corr. 1
 Acute Toxicity, Oral (Category 3)
 Irritating for skin (category 2)
 Irritating for eyes (Category 2A)
 Acute aquatic toxicity (category 3)

May be corrosive to metals	H290
Deadly in contact with skin	H310
Toxic if swallowed	H301
Toxic by inhalation	H331
Causes severe skin burns and eye damage	H314
Causes serious eye damage	H318

Full text of H statements : see section below

2.2. GHS Label elements, including precautionary statements

GHS-CA labelling

Hazard pictograms (GHS-CA) :



Signal word (GHS-CA) :

- Warning
- Nitric acid
 - Hydrofluoric acid

Hazard statements (GHS-CA) :

- H290 May be corrosive to metals
 H310 Fatal in contact with skin
 H301 Toxic if swallowed
 H331 Toxic by inhalation
 H314 Causes severe skin burns and eye damage
 H318 Causes serious eye damage

Precautionary statements (GHS-CA) :

- P260 Do not breathe dust / fume / gas / mist / vapors / spray.
 P280 Wear protective gloves / protective clothing / eye protection / face protection.
 P301 + P330 + P331 IF SWALLOWED: rinse mouth. DO NOT induce vomiting.
 P303 + P361 + P353 IF ON SKIN (or hair): Remove / Take off immediately all contaminated
 EN (English)

SOUDOTEC GEL PICK

Safety Data Sheet

according to the Hazardous Products Regulation (February 11, 2015)

clothing. Rinse skin with water / shower.

P305 + P351 + P338 IF IN EYES: Rinse cautiously with water for several minutes. Remove contact lenses, if present and easy to do. Continue to rinse.

P309 + P311 IF exposed or if you feel unwell: Call a POISON CENTER or doctor / physician

2.3. Other hazards

Other hazards not contributing to the classification : None

2.4. Unknown acute toxicity (GHS-CA)

No data available

SECTION 3: Composition/information on ingredients

3.1. Substances

Not applicable

3.2. Mixtures

Name	Chemical name / Synonyms	Product identifier	%	Classification (GHS-CA)
Nitric Acid		(CAS) 7697-37-2	< 25	
Hydrofluoric acid		(CAS) 7664-39-3	< 7	

Unlisted percentages are non-hazardous stabilizers, and water

SECTION 4: First-aid measures

4.1. Description of first aid measures

General advice:	: See a doctor. Show this safety data sheet to the attending physician. Get out of the danger zone. Take off immediately all contaminated clothing. The symptoms of intoxication may appear.
Inhalation:	: Ensure a supply of fresh air. In case of breathing difficulties or apnea, resort to artificial respiration. Do not practice mouth-to-mouth or mouth-to-mouth breathing. Use an insufflation gaiter or breathing apparatus.
Eye contact:	: In case of contact with eyes, open eyelid immediately flush with running water for 10 to 15 minutes and consult an ophthalmologist.
Skin Contact:	: Wash immediately with water and soap and rinse thoroughly. Seek immediate advice from a doctor. Immediately coat with calcium gluconate solution or calcium gluconate gel.
Ingestion:	: Rinse your mouth immediately and drink plenty of water. DO NOT induce vomiting. Possible harmful effects on men and possible symptoms: Perforation of the stomach. Call a doctor immediately.

4.2. Most important symptoms and effects (acute and delayed)

See section 2 for the most important known symptoms and effects

4.3. Immediate medical attention and special treatment, if necessary

Symptomatic treatment

SECTION 5: Fire-fighting measures

5.1. Suitable extinguishing media

Suitable extinguishing media : Adapt extinguishing measures to the surrounding environment.

5.2. Unsuitable extinguishing media

Non-flammable

5.3. Specific hazards arising from the hazardous product

Fire hazard : Wear self-contained breathing apparatus and chemical protective suit. Complete combination of protection.

Additional information : Bend gas / vapor / mist with water spray. Contaminated extinguishing water must be collected separately. Do not evacuate in the public pipeline or in bodies of water.

5.4. Special protective equipment and precautions for fire-fighters

Firefighting instructions : Prevent fire fighting water from entering the environment. Exercise caution when fighting any chemical fire.

Protection during firefighting : Do not enter fire area without proper protective equipment, including respiratory protection.

Precautionary measures fire : Wear protective clothing, including NIOSH-approved self-contained breathing apparatus

SECTION 6: Accidental release measures

6.1. Personal precautions, protective equipment and emergency procedures

General measures : Ensure adequate ventilation. Do not breathe gas / fumes / vapor / spray. Avoid contact with skin, eyes and clothing. Use personal protective equipment.

SOUDOTEC GEL PICK

Safety Data Sheet

according to the Hazardous Products Regulation (February 11, 2015)

Environmental precautions Prevent further leakage or spillage if safe to do so

6.2. Methods and materials for containment and cleaning up

Do not allow to run into pipelines or running water.

6.3. Reference to other sections

Collect mechanically. Treat the material collected according to the Disposal section.

Reference to other sections:

Safe handling: see paragraph 7

Personal protection: see paragraph 8

Evacuation: see paragraph 13

SECTION 7: Handling and storage

7.1. Precautions for safe handling

Precautions for safe handling : When exposed, use devices with a local exhaust system. Avoid dust formation. Do not breathe dust.

General precautions Does not require any special fire prevention measures.

7.2. Conditions for safe storage, including any incompatibilities

Storage conditions : Keep container tightly closed in a dry and well-ventilated place. Containers which are opened must be carefully resealed and kept upright to prevent leakage.

SECTION 8: Exposure controls/personal protection

8.1. Control parameters

# CAS	Désignation	ppm	mg/m ³
7697-37-2	Nitric Acid	1	2.6
7664-39-3	Hydrofluoric acid	1.8	1.5

General Precautions

Handle in accordance with good industrial hygiene and safety practice. Wash hands before breaks and at the end of the workday.

Engineering Controls

Use local exhaust ventilation to maintain air concentrations of dust, vapours and fumes below occupational exposure standards.

Respiratory Protection

Where risk assessment shows air-purifying respirators are appropriate, use a full-face respirator as a backup to engineering controls. If the respirator is the sole means of protection, use a full-face supplied air respirator. Use respirators and components tested and approved under appropriate government standards such as NIOSH (USA) or CEN (EU).

Protective Gloves

Handle with gloves. (Nitrile Rubber recommended) Gloves must be inspected prior to use. Use proper glove removal techniques (without touching glove's outer surface) to avoid skin contact with this product. Dispose of contaminated gloves after use in accordance with applicable laws and good lab practices. Wash and dry hands after handling.

Eye Protection

Use appropriately fitting safety goggles with side-shields conforming to EN166.. Use equipment for eye protection tested and approved under appropriate government standards such as NIOSH (USA) or EN 166 (EU)

Body Protection

Impervious clothing – The type of protective equipment must be selected according to the concentration and amount of the dangerous substance at the specific workplace.

Control of environmental exposure

Prevent further leakage or spillage if safe to do so.

Others

If used in solution, or mixed with other substances, and under conditions which differ from EN 374, contact the supplier of the CE approved gloves. This recommendation is advisory only and must be evaluated by an industrial hygienist and safety officer familiar with the specific situation of anticipated use by our customers. It should not be construed as offering an approval for any specific use scenario.



SOUDOTEC GEL PICK

Safety Data Sheet

according to the Hazardous Products Regulation (February 11, 2015)

SECTION 9: Physical and chemical properties

9.1. Information on basic physical and chemical properties

Appearance	Colorless liquid
Odor	Prickly
Odor threshold	No data available
pH	No data available
Melting point/Freezing point	No data available
Initial boiling point and boiling range	No data available
Flash point	No data available
Evaporation rate	No data available
Flammability (Solid, gas)	No data available
Upper flammability or explosive limits	Upper explosion limit: Not applicable
Lower flammability or explosive limits	Lower explosion limit: Not applicable
Vapor pressure	Not applicable
Vapor density	Not applicable
Relative density (Water = 1)	1.173 g/cm ³
Solubility(ies)	Soluble in water
Partition coefficient: n-octanol/water	No data available
Auto-ignition temperature	No data available
Decomposition temperature	No data available
Viscosity	> 4 mPa*s

9.2. Other information

Solid content : < 15%

SECTION 10: Stability and reactivity

10.1. Reactivity

Reactivity	: Corrosive substances or mixtures for metals. Possibility of dangerous reactions
Stability	: Product is stable if stored at normal ambient temperatures
Possibility of hazardous reactions	: Exothermic reaction with: Base 0 Peroxides 0 Oxidizing agent.
Conditions to avoid	: No
Incompatible material	: Metal. Keep away from: Base 0 Peroxides 0 Oxidizing Agent 0
Hazardous decomposition products	: Hazardous decomposition products are not known

In the event of fire, see section 5

SECTION 11: Toxicological information

11.1. Information on toxicological effects

Chances of exposure

# CAS	Substance			
	Exhibition route	Dose	Espèce	Source
7697-37-2	Nitric acid			
	Orally	DL50 1530 mg/kg	Rat	
	Dermal	DL50 2740 mg/kg	Rat	
	Inhalation (4h steam)	CL50 1.56-7 mg/l	Rat	OCDE 403
7664-39-3	Hydrofluoric acid			
	Orally	DL50 6.849 mg/kg	Human toxicological data	estimated
	Dermal	DL50 6.849 mg/kg	Human toxicological data	estimated
	Inhalation (4h steam)	CL50 137 mg/l	Human toxicological data	estimated
	Inhalation aerosol	ATE 0.05 mg/l		
	Inhalation (1h) gas	CL50 1610 ppm	Rat	

Additional information referring to evidence

The mixture is classified as dangerous according to Regulation (EC) No. 1272/2008 [CLP]. Special hazards arising from the substance or mixture

SECTION 12: Ecological information

12.1. Toxicity

The product is not ecotoxicological

SOUDOTEC GEL PICK

Safety Data Sheet

according to the Hazardous Products Regulation (February 11, 2015)

Aquatic toxicity:

Acute toxicity to fish: CL50 12.5 mg/l
Acute toxicity to crustaceans: CE50 8800 mg/l

12.2. Persistence and degradability

No additional information available

12.3. Bioaccumulative potential

No additional information available

12.4. Mobility in soil

No additional information available

12.5. Other adverse effects

An environmental hazard cannot be excluded in the event of unprofessional handling or disposal.

SECTION 13: Disposal considerations


13.1. Disposal methods

Product : Offer surplus and non-recyclable solutions to a licensed disposal company. Contact a licensed professional waste disposal service to dispose of this material.


Contaminated packaging : Dispose of as unused product.

SECTION 14: Transport information

Land transport (ADR / RID)

14.1 UN Number	UN 2922
14.2 UN proper shipping name	Corrosive, toxic liquid, N.S.A
14.3 Danger class for transport	8
14.4 Packing Group	II
Labels	8+6+1
	
Classification code	CT1
Special provisions	274
Limited quantity	1L
Quantity released	E2
Transport category	2
Hazard number	86
Tunnel restriction code	E

River transport (ADN)

14.1 UN Number	UN 2922
14.2 UN proper shipping name	Corrosive, toxic liquid, N.S.A
14.3 Danger class for transport	8
14.4 Packing Group	II
Labels	8+6+1
	
Classification code	CT1


SOUDOTEC GEL PICK

Safety Data Sheet

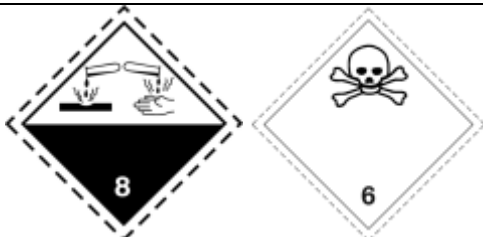
according to the Hazardous Products Regulation (February 11, 2015)

Special provisions	274 802
Limited quantity	1L
Quantity released	E2

Maritime Transport (IMDG)

14.1 UN Number	UN 2922
14.2 UN proper shipping name	Corrosive, toxic liquid, N.S.A
14.3 Danger class for transport	8
14.4 Packing Group	II
Labels	8+6+1
	
Classification code	CT1
Special provisions	274
Limited quantity	1L
Quantity released	E2
EmS	F-A, S-B

Air transport (ICAO)

14.1 UN Number	UN 2922
14.2 UN proper shipping name	Corrosive, toxic liquid, N.S.A
14.3 Danger class for transport	8
14.4 Packing Group	II
Labels	8+6+1
	
Special provisions	A3 A803
Limited quantity LQ (Airliner)	0.5L
L.Q Passenger	Y840
Quantity released	E2
IATA-Conditioning Instruction (Airliner)	851
IATA-Maximum Quantity (Airliner)	1L
IATA-Packing Instruction (Cargo)	855
IATA-Maximum quantity (Cargo)	30L

14.6 Special precautions to be taken by the user

Warning: Toxic, highly caustic

14.7 Transport in bulk in accordance with Annex II of the Marpol Convention and the IBC Code

Not applicable

SECTION 15: Regulatory information

15.1. National regulations

Non-hazardous

15.2. International regulations

Limitation of employment:

SOUDOTEC GEL PICK

Safety Data Sheet

according to the Hazardous Products Regulation (February 11, 2015)

Take into account the restrictions provided for by the Act on the Protection of Young Workers (94/33 / EC). Take into account the restrictions provided for in the maternal protection decree (92/85 / EEC) concerning pregnant or breastfeeding women.

Water contamination class (D):

2 - Pollute the water

Skin resorption / sensitization:

Easily pierces the epidermis and causes intoxication.

SECTION 16: Other information

Date of issue : 15/02/2018

Revision date : 15/02/2018

Abbreviations and acronyms

ADR: European Agreement on the Transport of Dangerous Goods by Road
(European Agreement concerning the International Carriage of Dangerous Goods by Road)

IMDG: International Maritime Code for Dangerous Goods

IATA: International Air Transport Association

GHS: Globally Harmonized System of Classification and Labeling of Chemicals

EINECS: European Inventory of Existing Commercial Chemical Substances

ELINCS: European List of Notified Chemical Substances

CAS: Chemical Abstracts Service

LC50: Lethal concentration, 50%

LD50: Lethal dose, 50%

Text of H and EUH sentences (Number and full text)

May aggravate a fire; oxidizer.

Mortal if swallowed.

H301 + H331 Toxic if swallowed or if inhaled.

Deadly by skin contact.

Causes severe skin burns and eye damage.

Fatal by inhalation.

Further information

Judgments as to the suitability of information herein or the purchaser's purposes are necessarily the purchaser's responsibility. The above information does not represent any guarantee of the properties of the product. It is believed to be correct, but does not purport to be all inclusive and should be used only as a guide. Reasonable care has been taken in the preparation of this material, and is based on the present state of our knowledge.

FSH Welding Canada shall not be held liable for any damage resulting from handling or from contact with the above product. There are NO WARRANTIES, NO REPRESENTATIONS AND NO RESPONSIBILITY AS TO THE ACCURACY OR THE SUITABILITY OF THIS INFORMATION FOR ANY PURCHASER'S USE OR FOR ANY CONSEQUENCE TO USE